



RELIEF COVER
Model : CVC*R

Ref. No. D 03418
Release 11 / 2014

ENGINEERING - 1 of 2

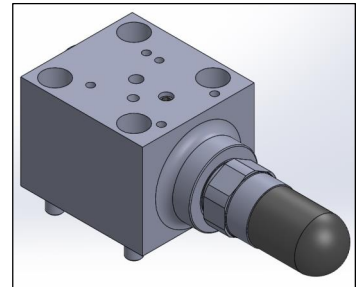
A Polyhydon Group Company

Description

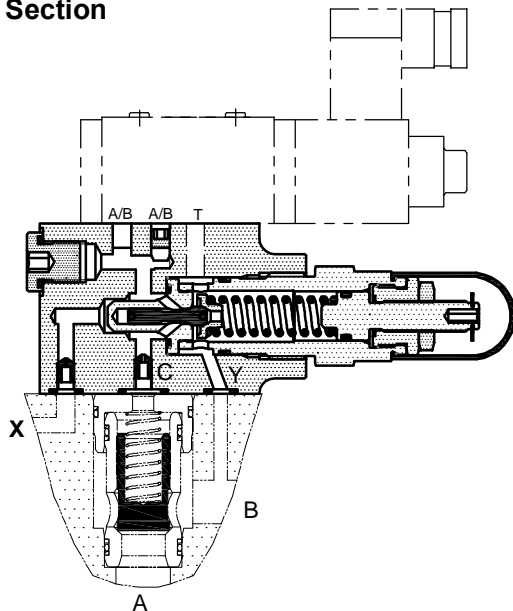
The Covers **CVC*R** are designed to hold Polyhydon make 2 port slip-in cartridge valves model **CV***** in the cavities machined as per ISO 7368, and are meant to create a pilot operated relief function, when combined with a valve having a poppet area ratio of 1:1.

The covers have options of having pressure adjustment facility by means of Set screw or a Hand knob. Clockwise rotation of the screw increases the pressure setting .

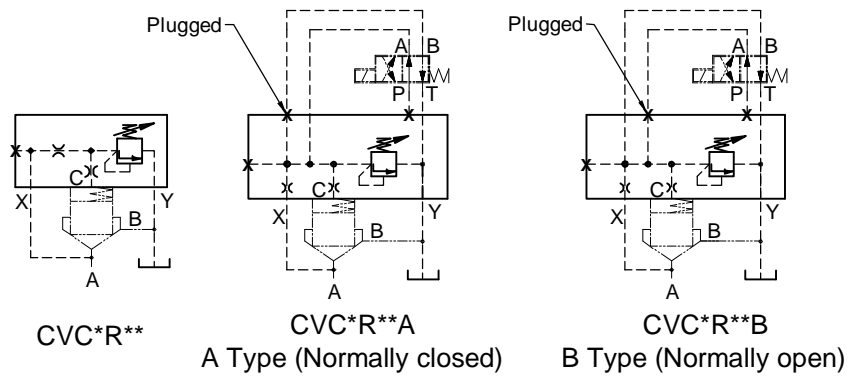
These covers are also available with an optional facility to mount on them , a Solenoid operated Directional Control Valve to give the combination an added feature of unloading a pump or regulating pressure and exhausting a cylinder side by means of an electrical signal to the Solenoid.



Section



Hydraulic symbol



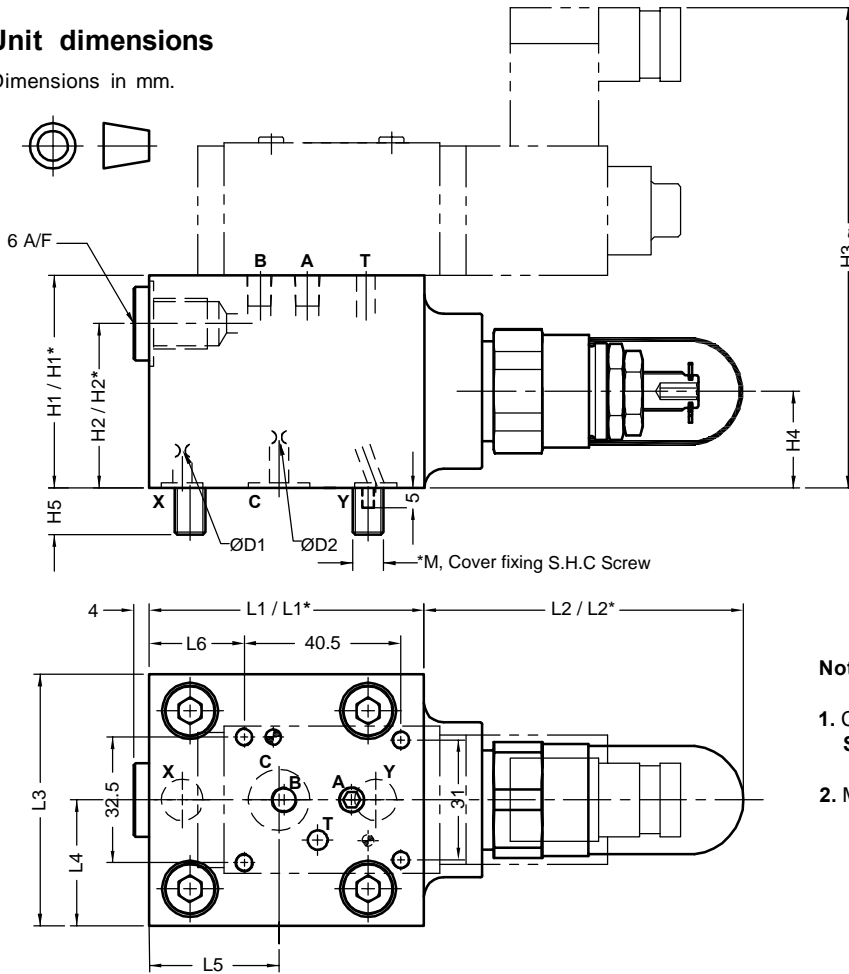
Technical specifications

Mounting interface	:	As per ISO 7368
Working pressure	:	350 bar.
Hydraulic medium	:	Mineral oil.
Temperature range	:	-20°C to + 80°C.
Viscosity range	:	10 cSt to 380 cSt.
Fluid cleanliness required	:	ISO 4406 20/18/15 or better.

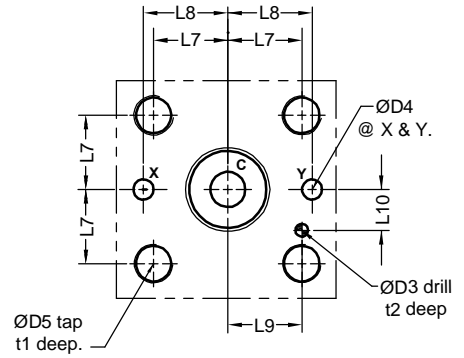


Unit dimensions

Dimensions in mm.



Cover mounting interface as per ISO 7368.



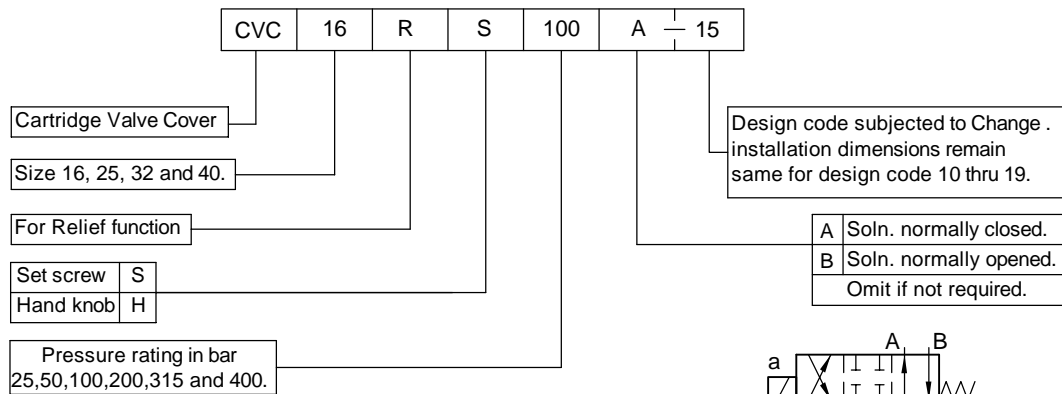
Notes:

- Cover fixing S.H.C Screws are **OUT OF SCOPE OF SUPPLY.**
- Mounting interface for Soln. D.C.V as per ISO 4401-03-02.

Size	Mass Kg. approx	L1	L1*	L2	L2*	L3	L4	L5	L6	L7	L8	L9	L10	ØD1	ØD2	ØD3	ØD4 max	ØD5	t1	t2	H1	H1*	H2	H2*	H3	H4	H5	*M. 4 nos. Cover fixing S.H.C. Screw (Class 12.9)	Tightening Torque.
16	2.5	71	67.5	82.5	86	65	32.5	33.5	24.5	23	25	23	10.5	0.8	1	4	4	M8	14	10	55	46	42.5	25	160	25	12	M8 x 40 Long	39 Nm
25	4.0	86	86	82.5	82.5	85	42.5	43.5	40	29	33	29	16	0.8	1	6	6	M12	20	10	58	50	45.5	28	163	28	18	M12 x 45 Long	135 Nm
32	5.5	104	102	85.5	87.5	102	51	51	56.7	35	41	35	17	1.2	1.2	6	8	M16	26	10	58	50	25	25	163	25	24	M16 x 55 Long	330 Nm
40	8.0	125	125	67.5	67.5	125	62.5	62.5	61	42.5	50	42.5	23	1.2	1.2	6	10	M20	33	10	60	60	30	30	165	30	30	M20 x 70 Long	650 Nm

H1* and H2* are the heights and L1* and L2* are the lengths of cover without solenoid mounting provision.

Ordering code



Note : Solenoid (refer spool type) to be ordered separately.

